

# PRODUCT INFORMATION PACKET

Model No: 5KC36JN269X

Catalog No: C331

1/2 HP General Purpose Pump Motor, 1 phase, 3600 RPM, 115/230 V, 56J Frame, ODP  
General Purpose Pump Single Phase Motors



### Nameplate Specifications

Output HP	0.50 Hp	Output KW	0.37 kW
Frequency	60 Hz	Voltage	115/230 V
Current	7.6,3.8 A	Speed	3450 rpm
Service Factor	1.6	Phase	1
Efficiency	62 %	Power Factor	0
Duty	Continuous	Insulation Class	B
KVA Code	L	Frame	56J
Enclosure	Drip Proof	Thermal Protection	AUTO
Ambient Temperature	40 °C	Drive End Bearing Size	6203
Opp Drive End Bearing Size	6203	UL	Recognized
CSA	Yes	CE	N

### Technical Specifications

Electrical Type	Capacitor Start Induction Run	Starting Method	SM
Poles	2	Rotation	Clockwise
Mounting	Round	Motor Orientation	ANY
Drive End Bearing	LOCKED	Opp Drive End Bearing	Ball
Frame Material	Rolled Steel	Overall Length	10.82 in
Frame Length	6.22 in	Shaft Diameter	0.630 in
Shaft Extension	2.38 in		
Outline Drawing	52A102690P3	Connection Drawing	52A105384AA

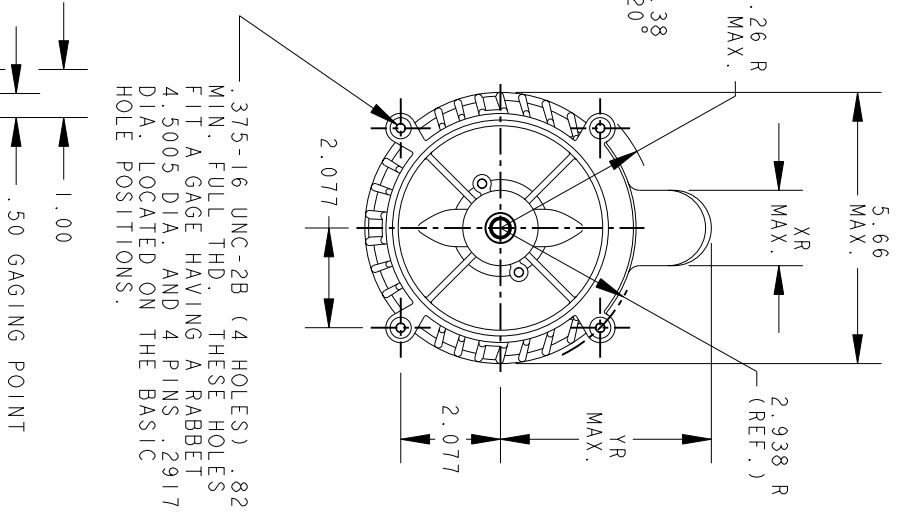
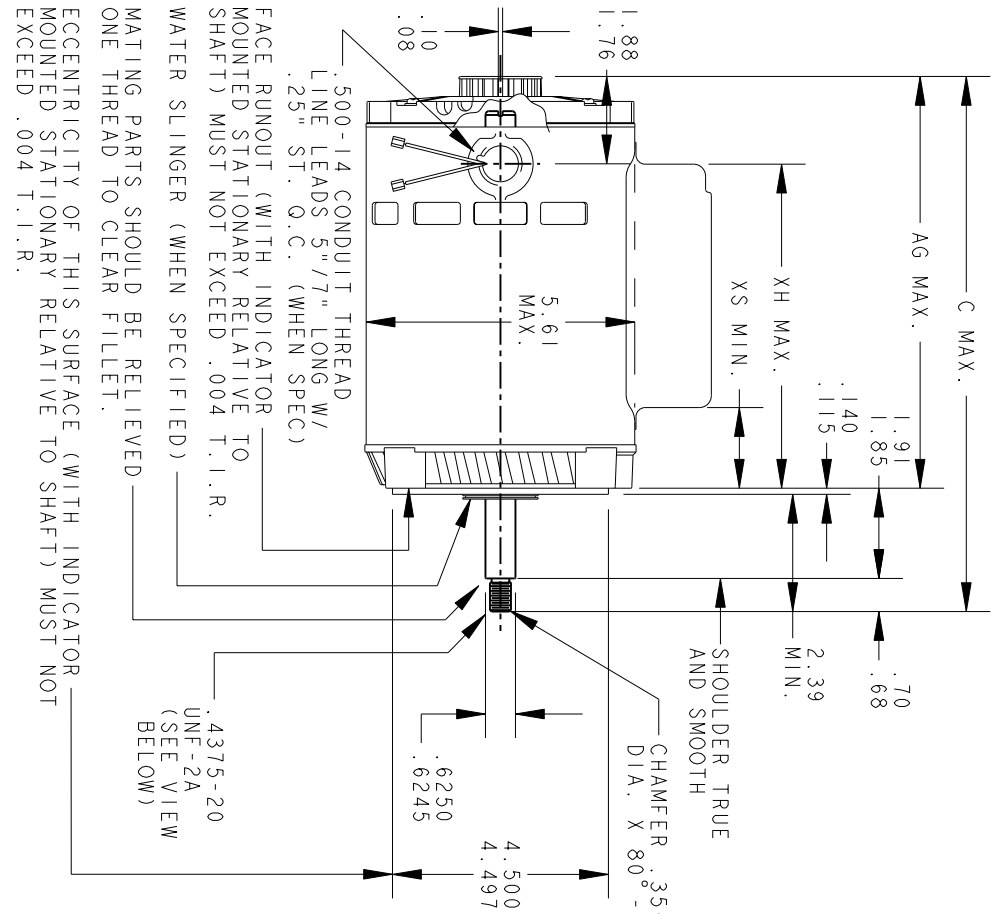
This is an uncontrolled document once printed or downloaded and is subject to change without notice. Date Created:03/11/2020

THIRD ANGLE PROJECTION



REVISIONS

REV.	DESCRIPTION	DATE	APPROVED
9	REDRAWN BY 2M SOFTWARE CO	02/05/95	CCP
10	FORMAT CHG PER ISAAC 05-1777	01/06/06	RAJKUMAR



8	7	6	5	4	3	2	1	P
KC	KC	KC	KC	KC	KC	KC	KC	P
37	39	39	38	37	36	38	39	TYPE
56J	56J	56J	56J	56J	56J	56J	56J	GE
11.35	13.10	12.35	11.82	11.22	10.82	11.82	12.35	SIZE
8.76	10.49	9.74	9.21	8.61	8.21	9.21	9.74	NEMA
1.39	3.27	2.52	1.99	1.39	1.39	1.99	2.19	FR
7.03	8.91	8.16	7.63	7.03	6.63	7.63	7.83	C
2.72	1.60	1.60	1.60	1.60	1.60	2.22	2.22	AG
5.44	4.34	4.34	4.34	4.34	4.34	4.96	4.96	XS
8.50	7.75	7.75	7.75	7.75	7.75	7.75	7.75	XH
								XR
								YR
								SHELL REF.

ECCENTRICITY OF THIS SURFACE (WITH INDICATOR MOUNTED STATIONARY RELATIVE TO SHAFT) MUST NOT EXCEED .004 T.I.R.

MATING PARTS SHOULD BE RELIEVED ONE THREAD TO CLEAR FILET.

FACE RUNOUT (WITH INDICATOR MOUNTED STATIONARY RELATIVE TO SHAFT) MUST NOT EXCEED .004 T.I.R.

WATER SLINGER (WHEN SPECIFIED)

CHAMFER .35-.38 DIA. X 80-120

3.26 R MAX.

2.938 R (REF.)

2.077

2.077

2.077

2.077

2.077

2.077

2.077

1.00

.50 GAGING POINT

2.00

ECCENTRICITY OF THREADED PORTION OF SHAFT IS HELD WITHIN .004 GAGE READING WITH THE INDICATOR ON O.D. OF GROUND RING GAGE AS SHOWN, THE GAGE BEING STATIONARY WITH RESPECT TO THE ROTOR.

SIGNATURES		DATE
MODEL	B.A.C	04/24/78
DETAIL		
CHECKED		
ENGRG		
MFG		
QUALITY		
ISSUED	C.C.P	02/05/95
SOLID MODEL: 52A102690		

**REGAL-BELOTT CORPORATION**

**OUTLINE**

**FORM N - PUMP MOTOR - DRIP PROOF - R2 END MOUNTED SLEEVE & BALL BEARING - FME5KC37MN135T**

SCALE: 0.250 REF. No: .

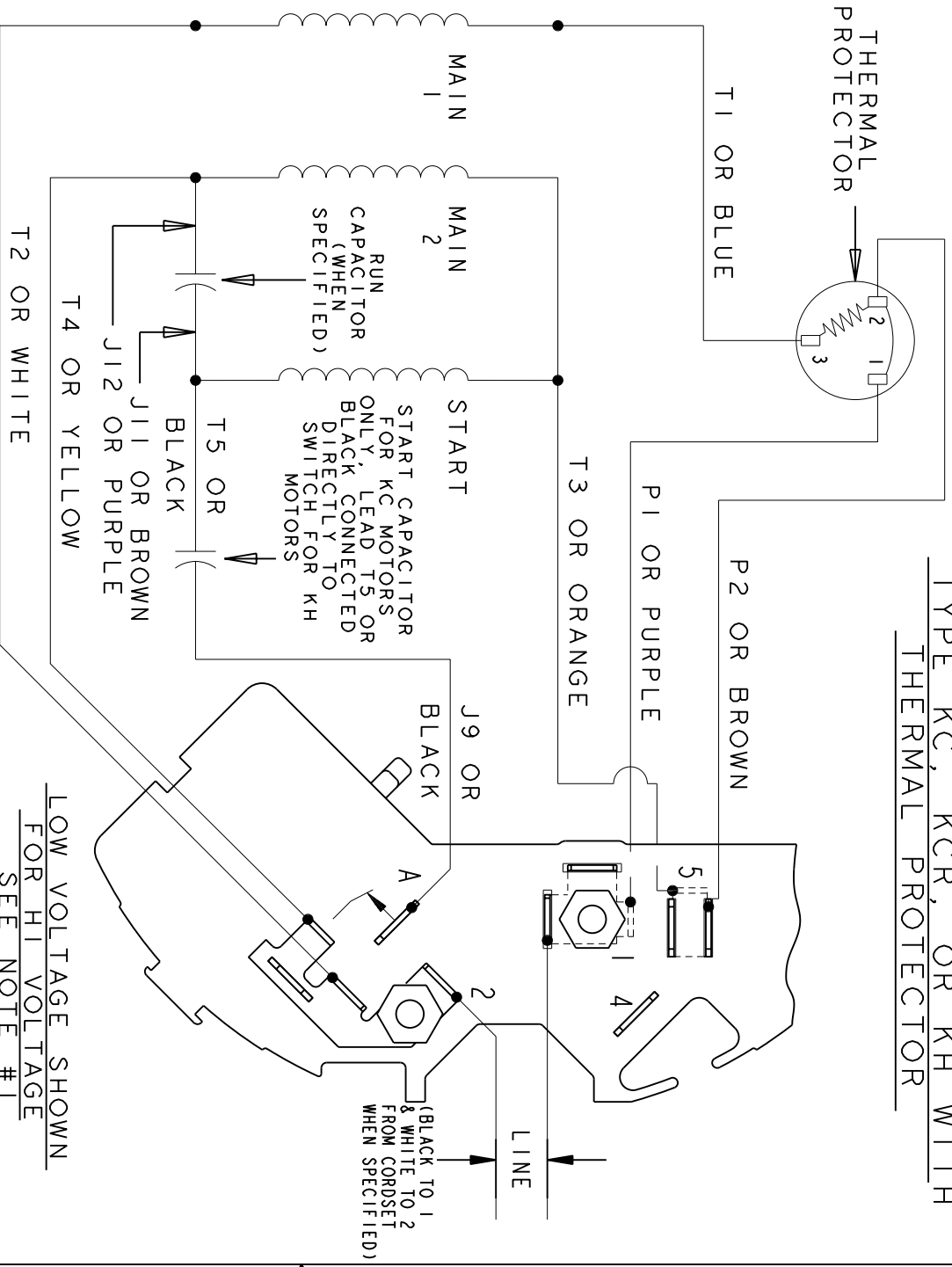
SIZE DRAWING A

REV 10

SHEET 1 of 1

REV.	DESCRIPTION	DATE	APPROVED
4	CORDSET INSTRUCTION ADDED	04/02/09	AMITRUP

**SET ROTATION - DUAL VOLTAGE  
TYPE KC, KCR, OR KH WITH  
THERMAL PROTECTOR**



LOW VOLTAGE SHOWN  
FOR HI VOLTAGE  
SEE NOTE #1

- NOTE #1 - FOR HI VOLTAGE REMOVE BROWN (P2) FROM TERMINAL #5 AND PLACE ON TERMINAL #4, REMOVE WHITE (T2) FROM TERMINAL #2 AND PLACE ON TERMINAL #5.
- NOTE #2 - WHEN MORE THAN ONE CAPACITOR IS USED CONNECT IN PARALLEL.

SWITCH (C) - 115D9558AB

CONNECTION LABEL - 52X333080

REF. DIAG. - 121A857

SIGNATURES	DATE
MODEL M.D.P.	06/29/87
DETAIL	.
CHECKED	.
ENGRG	.
MFG	.
QUALITY	.
ISSUED	M.D.P. 06/29/87
APPLIED PRACTICES	✓
DIMENSIONS ARE IN INCHES	✓
MATERIAL	SOLID MODEL: 52A105384AA



REGAL-BELOTT CORPORATION

**CONNECTION DIAGRAM**

**FME: 30 FRAME SWITCH REDESIGN**

TITLE	SIZE	DRAWING	SCALE	REF. No.	SHEET	REV
	A		1.000		1 of 1	4